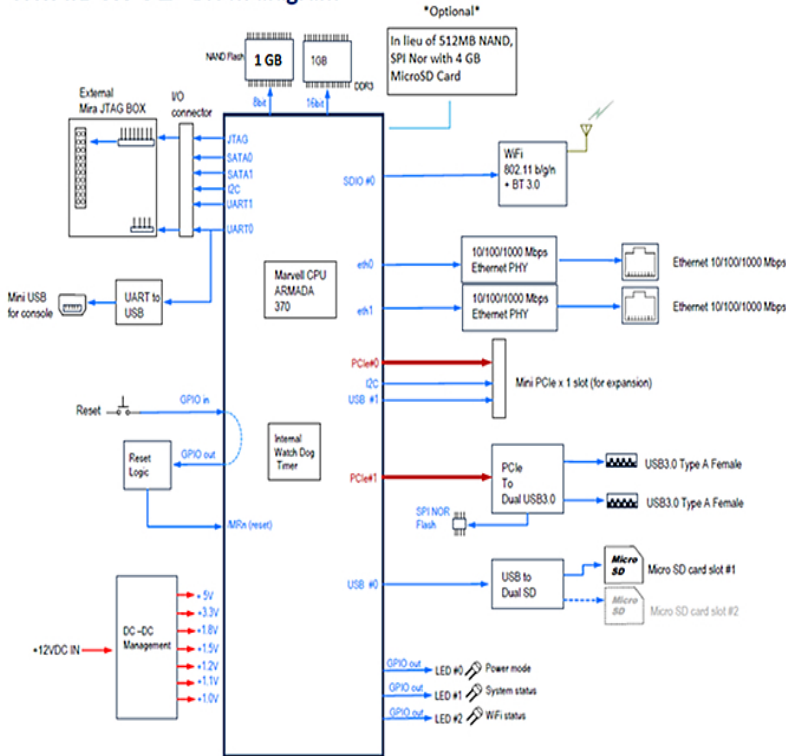


The Freedom Router

[Under Development]

MiraBox V2- Block diagram



Hardware Specs

CPU: 1.2GHz Marvell Armada 370 (ARMv7)

RAM: 1GB DDR3

Storage: 1GB Internal NAND Flash

Power: 100-240VAC/50-60Hz 19W

Ethernet: 2 x 10/100/1000

WiFi: 802.11 b/g/n with Marvell 88W8787

Bluetooth: 3.0

USB: 2 x 3.0 Ports

Internal Expansion: 1 x Mini PCIe Slot

External Expansion: 1 x microSD Slot

Debug: JTAG, 2 x SATA, I2C, 2 x UART



WAN Support

- DHCP
- PPPoE/PPPoA/VDSL
- UMTS/CDMA/HSDPA/LTE (3G/4G)

Features

- Open Source Linux System
- Daily Encrypted Updates
- Netfilter based Firewall
- OpenVPN/IPSec
- SSH/SFTP
- Asterisk VoIP Phone Server
- TeamSpeak Scalable VoIP Chat
- Squid/SquidGuard/SquidClamAV
- Snort IDS with Guardian IPS
- BitTorrent Client
- Icecast Media Streaming with MPFire
- DVR Recording via VDR
- FTP/TFTP Server
- SMB/CIFS Server
- Tor Client/Server
- And more...



Cost

\$150 (est.)